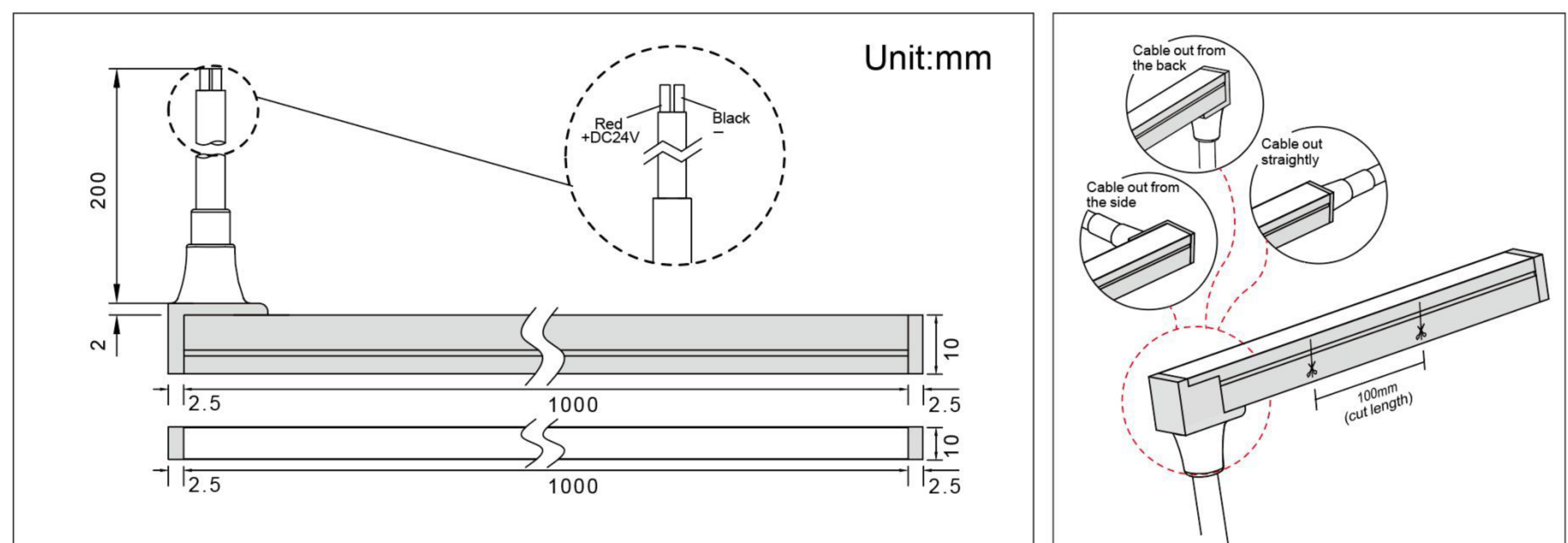




## Product Features

- Dimension:10x10mm, Vertical bending
- With matte treatment, smooth surface and resistant to dust.
- Constant voltage 24VDC ,Max.run(single end feed):5m/pcs,100mm as a min. section with the fast connectors or solder connectors.
- Power cords direction: Straightly powered,Side powered,Back powered.
- UL&TUV-CE approved,3 years warranty.

## Dimension and outlet direction



> Notice  
End cap with the same width as the tape light

## Optical parameter

| Item             | Color / CCT | Lumen/M | Power/M | Voltage | Light efficiency | CRI (Ra) | Max.Run (single end feed) | Minimum section | Color Tolerance |
|------------------|-------------|---------|---------|---------|------------------|----------|---------------------------|-----------------|-----------------|
| ES-1010VB-27-10W | 2700K       | 550LM   | <10W    | 24VDC   | 55LM/W           | 90+      | 5M                        | 100mm           | SDCM<5          |
| ES-1010VB-30-10W | 3000K       | 570LM   | <10W    | 24VDC   | 57LM/W           | 90+      | 5M                        | 100mm           | SDCM<5          |
| ES-1010VB-35-10W | 3500K       | 600LM   | <10W    | 24VDC   | 60LM/W           | 90+      | 5M                        | 100mm           | SDCM<5          |
| ES-1010VB-40-10W | 4000K       | 620LM   | <10W    | 24VDC   | 62LM/W           | 90+      | 5M                        | 100mm           | SDCM<5          |