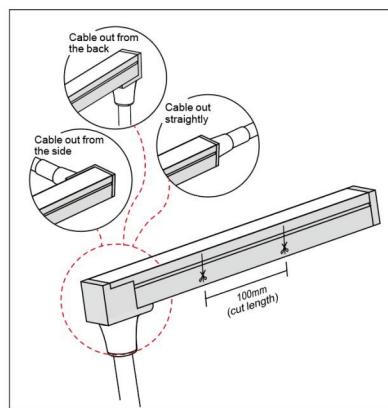
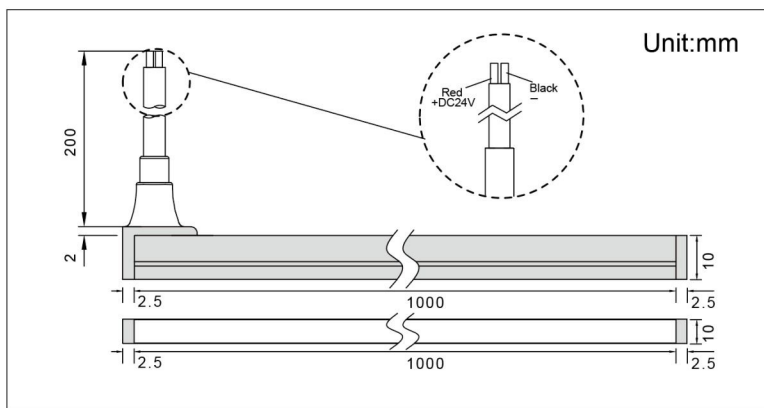




Product Features

- Dimension:10x10mm, Vertical bending
- With matte treatment, smooth surface and resistant to dust.
- Constant voltage 24VDC ,Max.run(single end feed):5m/pcs,100mm as a min. section with the fast connectors or solder connectors.
- Power cords direction: Straightly powered,Side powered,Back powered.
- UL&TUV-CE approved,3 years warranty.

Dimension and outlet direction



> Notice
End cap with the same width as the tape light

Optical parameter

| Item | Color / CCT | Lumen/M | Power/M | Voltage | Light efficiency | CRI (Ra) | Max.Run (single end feed) | Minimum section | Color Tolerance |
|------|-------------|---------|---------|---------|------------------|----------|---------------------------|-----------------|-----------------|
| | 2700K | 550LM | <10W | 24VDC | 55LM/W | 90+ | 5M | 100mm | SDCM<5 |
| | 3000K | 570LM | <10W | 24VDC | 57LM/W | 90+ | 5M | 100mm | SDCM<5 |
| | 3500K | 600LM | <10W | 24VDC | 60LM/W | 90+ | 5M | 100mm | SDCM<5 |
| | 4000K | 620LM | <10W | 24VDC | 62LM/W | 90+ | 5M | 100mm | SDCM<5 |