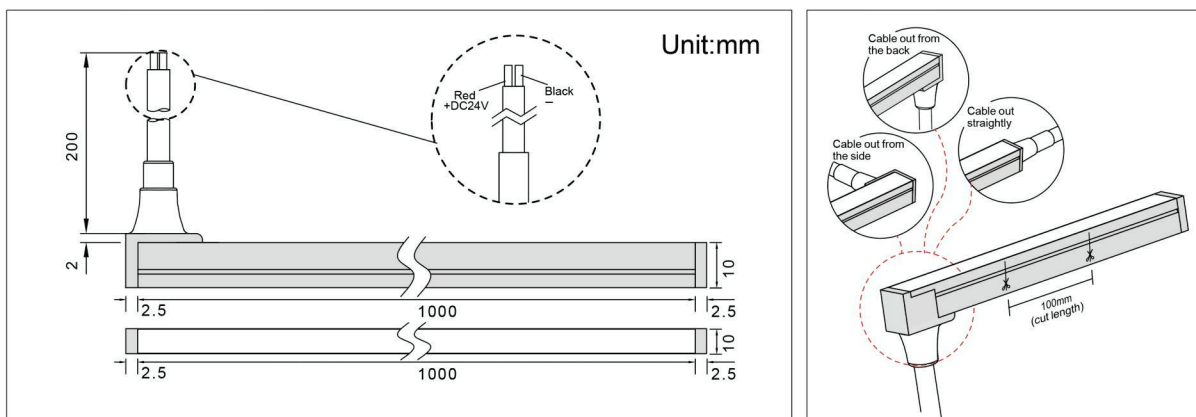


### Product Features

- Dimension:10x10mm.
- Special design,still works however inner FPC board damaged in one or more pieces.
- Constant voltage ,Max.run(single end feed):5m/pcs,100mm as a min. section with the fast connectors.
- power cords with 3 directions: Straight powered,Side powered,Back powered.
- With matte treatment, smooth surface and resistant to dust.

### Dimension and outlet direction



> Notice  
End cap with the same width as the tape light

### Optical parameter

Item	Color / CCT	Lumen/M	Power/M	Voltage	Light efficiency	CRI (Ra)	Max.Run (single end feed)	Minimum section	Color Tolerance
	2700K	460LM	<10W	24VDC	46LM/W	97+	5M	100mm	SDCM<5
	3000K	500LM	<10W	24VDC	50LM/W	97+	5M	100mm	SDCM<5
	3500K	520LM	<10W	24VDC	52LM/W	97+	5M	100mm	SDCM<5
	4000K	540LM	<10W	24VDC	54LM/W	97+	5M	100mm	SDCM<5